

1

2

3

4

A

A

2

25

20

16

17

4,1

3

36

10

11

13

12

4,2

4,4

32

38

33

B

B

C

C

D

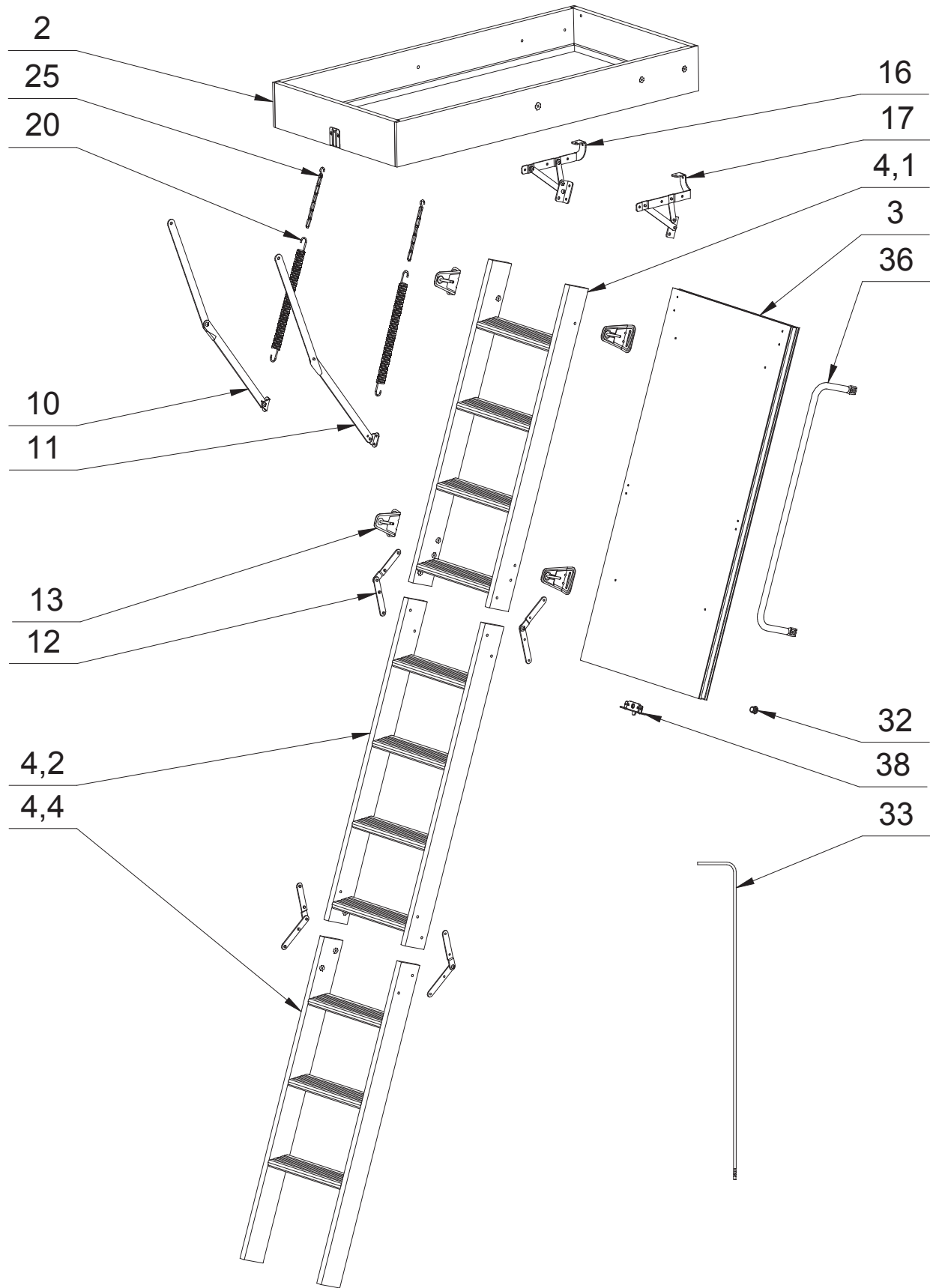
D

E

E

F

F



1

2

3

4

List of service parts and sub-assemblies

Number in drawing	Figure No. part, sub-assembly	Name of sub-assembly part
2	SU100	Box
3	SV100	Complete board smart
4,1	SW200	Upper section 280 smart
4,2	SX200	Middle section smart
4,4	SY200	Lower section smart
10	UE100	Support unit – left
11		Support unit – right
12	SF111	Loft ladder hinge
13	SF530	loft ladder bracket
16	UF300	Left hinge (for loft ladders with the size of 54"x22,5"; 54"x25"; 140x55; 140x58; 140x60; 140x70)
	UF100	Left hinge (for loft ladders with the size of 111x55; 111x58; 111x60; 111x70; 120x55; 120x58; 120x60; 120x70; 47"x22,5"; 47"x25"; 130x55; 130x58; 130x60; 130x70)
17	UF300	Right hinge (for loft ladders with the size of 54"x22,5"; 54"x25"; 140x55; 140x58; 140x60; 140x70)
	UF100	Right hinge (for loft ladders with the size of 111x55; 111x58; 111x60; 111x70; 120x55; 120x58; 120x60; 120x70; 47"x22,5"; 47"x25"; 130x55; 130x58; 130x60; 130x70)
20	SH300	Tension spring
25	SH510	Chain SH51J (for loft ladders with the size of 54"x22,5"; 54"x25"; 140x55; 140x58; 140x60; 140x70)
		Chain SH51G (for loft ladders with the size of 111x55; 111x58; 111x60; 111x70; 120x55; 120x58; 120x60; 120x70; 47"x22,5"; 47"x25"; 130x55; 130x58; 130x60; 130x70)
32	SH700	Plug
33	SH900	Control rod
36	SN120	Handrail
38	SZ101	Lock